

TCR Series Air Powered Chain Hoists

1/4 to 25 tonne capacity, accurate, reliable hoist



The TCR series of air hoists feature a host of advantages to increase your productivity. Compact and highly durable, these quiet-to-operate air hoists perform fine feathering movements and precise load spotting without electrical hazard.

FEATURES

- Load-bearing parts are only stressed to 20% of their limit at rated capacity
- Abrasion resistant, case-hardened, nickel-plated load chain is made from heat-treated alloy steel for high, uniform strength
- Forged carbon steel hook design will not fracture under excessive load
- Reliable non-asbestos, self adjusting brake
- Built-in load limiter automatically stops lifting when load is over the rated capacity on 1/2 tonne and above
- Upper and lower limit switch prevent over-travel in up or down direction
- 360° swivel bottom hook with built-in bearing, for easy positioning
- Weathertight construction resists dust and water, reliable in harsh environments
- Fine feathering movement with precision starting and stopping
- Quiet operation with external muffler
- 100% duty cycle multi-vane motor with filter/lubricator installed
- Full range variable speed control for increased productivity
- Filter/Lubricator included with each unit
- Test Load: 125% of rated capacity

STANDARDS

- ASME B30.16 Safety Standard
- ASME HST-5 Performance Standard
- Grade 80, Case Hardened Chain
- 80.5 dBA at 1 metre
- 90 PSI Pressure

OPTIONS

- Pendant or cord control to meet your needs
- Chain bag to keep chain clean and out of the way
- Custom lift lengths to suit your requirements
- Plain or Geared trolley mount for improved load control (p. 35)

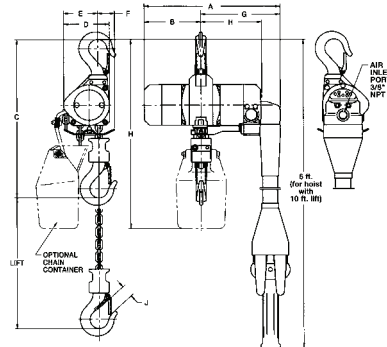
TCR Variable Speed Hoist - Hook Mount

1/4 TONNE - MINI CHAIN HOIST



DIMENSIONS (mm)

| Capacity (tonne) | Model | C | A | B | D | E | H | J |
|--|---------|-----|-----|-----|----|----|-----|----|
| TCR Manipulator Control - Hook Suspension | | | | | | | | |
| ¼ | TCR250M | 837 | 269 | 112 | 89 | 66 | 373 | 23 |
| TCR Pendant Control - Hook Suspension | | | | | | | | |
| ¼ | TCR250P | 305 | 269 | 112 | 89 | 66 | 373 | 23 |
| TCR Cord Control - Hook Suspension | | | | | | | | |
| ¼ | TCR250C | 305 | 231 | 112 | 89 | 66 | 373 | 23 |

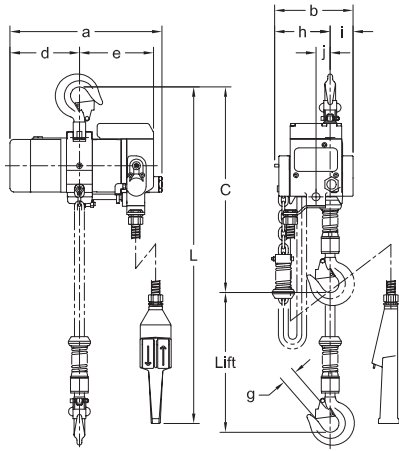


SPECIFICATIONS

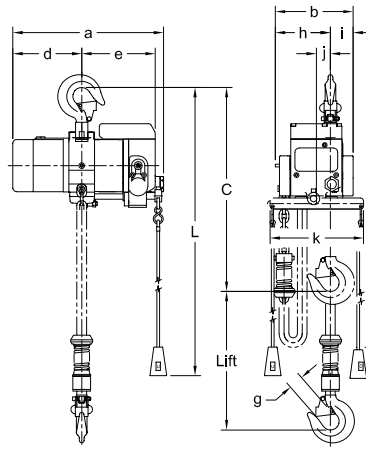
| Capacity (tonne) | Model | Standard Lift (ft) | Max. Lift (ft) | | Speeds (90 PSI - ft/min) | | | | Headroom (in) | | | | Load Chain Code | Load Chain Falls | Ship Weight (lbs) | Weight per Additional 5 ft of Lift (lbs) | |
|--|------------|--------------------|----------------|---------|--------------------------|----------|-----------|----------|-----------------|------|----------------|------|-----------------|------------------|-------------------|--|------|
| | | | | | Up | | Down | | Plain Trolley | | Geared Trolley | | | | | | |
| | | | Chain | Pendant | with Load | w/o Load | with Load | w/o Load | Hook Mount Only | Hook | Lug | Hook | | | | | Lug |
| TCR Manipulator Control - Hook Suspension | | | | | | | | | | | | | | | | | |
| ¼ | TCR250M | 6 | 6 | 6 | 26 | 55 | 54 | 41 | 33 | 36 | 31.7 | 36 | ---- | KED040 | 1 | 24 | ---- |
| TCR Pendant Control - Hook Suspension | | | | | | | | | | | | | | | | | |
| ¼ | TCR250P | 10 | 130 | 20 | 27 | 55 | 54 | 41 | 12 | 15 | 10.7 | 15 | ---- | KED040 | 1 | 16 | 4 |
| ½ | TCR500P | 10 | 130 | 20 | 33 | 62 | 52 | 43 | 18.25 | 22 | 18.6 | 22 | 18.6 | KER063 | 1 | 68 | 4 |
| 1 | TCR1000P2 | 10 | 65 | 20 | 16 | 31 | 27 | 21 | 20.5 | 24.6 | 21.3 | 24.6 | 21.3 | KER063 | 2 | 76 | 8 |
| 1 | TCR1000P | 10 | 130 | 20 | 19 | 34 | 31 | 21 | 18.5 | 22.6 | 19.2 | 22.6 | 19.2 | KER071 | 1 | 74 | 5 |
| 2 | TCR2000P2 | 10 | 65 | 20 | 10 | 17 | 15 | 10 | 22.75 | 28 | 23 | 28 | 22.9 | KER071 | 2 | 87 | 10 |
| 3 | TCR3000P | 10 | 130 | 25 | 9 | 17 | 13 | 10 | 22.25 | 28.4 | 21.6 | 28.4 | 21.6 | KER112 | 1 | 151 | 11 |
| 6 | TCR6000P2 | 10 | 65 | 25 | 5 | 8 | 7 | 5 | 27 | ---- | 29.5 | ---- | 29.5 | KER112 | 2 | 197 | 22 |
| 10 | TCR10000P2 | 10 | 50 | 16 | 5.1 | 7.2 | 7.6 | 5.9 | 35 | ---- | ---- | ---- | ---- | LCTCR10 | 2 | 476 | 19 |
| 25 | TCR25000P2 | 10 | 50 | 16 | 1.8 | 2.1 | 2.2 | 1.6 | 56.7 | ---- | ---- | ---- | ---- | LCTCR25 | 2 | 1082 | 35 |
| TCR Cord Control - Hook Suspension | | | | | | | | | | | | | | | | | |
| ¼ | TCR250C | 10 | 130 | ---- | 30 | 61 | 57 | 45 | 12 | 15 | 10.7 | 15 | ---- | KED040 | 1 | 16 | 4 |
| ½ | TCR500C | 10 | 130 | ---- | 33 | 62 | 52 | 43 | 18.25 | 22 | 18.6 | 22 | 18.6 | KER063 | 1 | 68 | 4 |
| 1 | TCR1000C2 | 10 | 65 | ---- | 16 | 31 | 27 | 21 | 18.25 | 24.6 | 21.3 | 24.6 | 21.3 | KER063 | 2 | 76 | 8 |
| 1 | TCR1000C | 10 | 130 | ---- | 19 | 34 | 31 | 21 | 18.5 | 22.6 | 19.2 | 22.6 | 19.2 | KER071 | 1 | 74 | 5 |
| 2 | TCR2000C2 | 10 | 65 | ---- | 10 | 17 | 15 | 10 | 22.75 | 28 | 23 | 28 | 22.9 | KER071 | 2 | 87 | 10 |
| 3 | TCR3000C | 10 | 130 | ---- | 9 | 17 | 13 | 10 | 22.25 | 28.4 | 21.6 | 28.4 | 21.6 | KER112 | 1 | 151 | 11 |
| 6 | TCR6000C2 | 10 | 65 | ---- | 5 | 8 | 7 | 5 | 27 | ---- | 29.5 | ---- | 29.5 | KER112 | 2 | 197 | 22 |
| 10 | TCR10000C2 | 10 | 50 | ---- | 5.1 | 7.2 | 7.6 | 5.9 | 35 | ---- | ---- | ---- | ---- | LCTCR10 | 2 | 465 | 19 |
| 25 | TCR25000C2 | 10 | 50 | ---- | 1.8 | 2.1 | 2.2 | 1.6 | 56.7 | ---- | ---- | ---- | ---- | LCTCR25 | 2 | 1074 | 35 |

TCR Variable Speed Hoist - Hook Mount

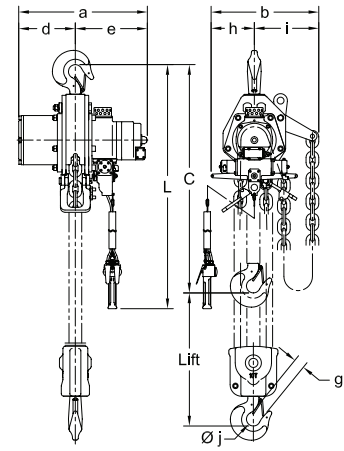
½ to 6 Metric Tonne
Pendant Control



½ to 6 Metric Tonne
Cord Control



10 to 25 Metric Tonne
Pendant Control



DIMENSIONS (mm)

| Capacity (tonne) | Model | c | a | b | d | e | g | h | i | j | k |
|--|------------|------|-----|-----|-----|-----|----|-----|-----|-----|------|
| Pendant Control - Hook Suspension | | | | | | | | | | | |
| ½ | TCR500P | 462 | 340 | 175 | 155 | 168 | 28 | 124 | 51 | 33 | ---- |
| 1 | TCR1000P2 | 519 | 340 | 185 | 155 | 168 | 28 | 150 | 38 | 56 | ---- |
| 1 | TCR1000P | 466 | 340 | 175 | 155 | 168 | 28 | 124 | 51 | 33 | ---- |
| 2 | TCR2000P2 | 580 | 340 | 193 | 155 | 168 | 28 | 152 | 41 | 58 | ---- |
| 3 | TCR3000P | 563 | 450 | 226 | 203 | 229 | 33 | 48 | 175 | 43 | ---- |
| 6 | TCR6000P2 | 690 | 450 | 282 | 203 | 229 | 43 | 64 | 221 | 86 | ---- |
| 10 | TCR10000P2 | 889 | 551 | 467 | 246 | 305 | 41 | 188 | 279 | 61 | ---- |
| 25 | TCR25000P2 | 1440 | 699 | 475 | 363 | 335 | 79 | 163 | 312 | 124 | ---- |
| Cord Control - Hook Suspension | | | | | | | | | | | |
| ½ | TCR500C | 462 | 340 | 175 | 155 | 168 | 28 | 124 | 51 | 33 | 211 |
| 1 | TCR1000C2 | 519 | 340 | 185 | 155 | 168 | 28 | 150 | 38 | 56 | 211 |
| 1 | TCR1000C | 466 | 340 | 175 | 155 | 168 | 28 | 124 | 51 | 33 | 211 |
| 2 | TCR2000C2 | 580 | 340 | 193 | 155 | 168 | 28 | 152 | 41 | 58 | 211 |
| 3 | TCR3000C | 563 | 450 | 226 | 203 | 229 | 33 | 48 | 175 | 43 | 211 |
| 6 | TCR6000C2 | 690 | 450 | 282 | 203 | 229 | 43 | 64 | 221 | 86 | 211 |
| 10 | TCR10000C2 | 889 | 551 | 467 | 246 | 305 | 41 | 188 | 279 | 61 | ---- |
| 25 | TCR25000C2 | 1440 | 699 | 475 | 363 | 335 | 79 | 163 | 312 | 124 | ---- |